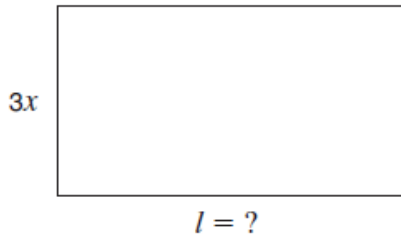


For the following Multiple Choice Questions – Place your answer in the table on page 2. (8 marks)

The area of the rectangle shown below is  $6xy^2$  square units.

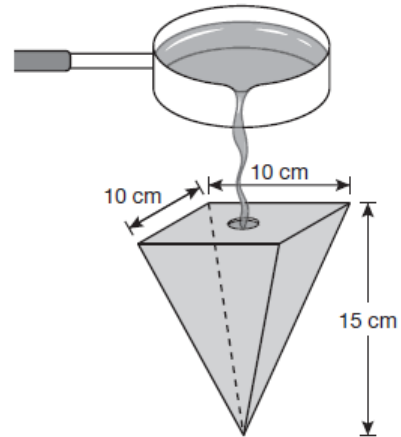


Hint:  $A = lw$

If the width is  $3x$  units, which expression represents the length of the rectangle?

- a  $2xy^2$  units
- b  $2y^2$  units
- c  $3xy^2$  units
- d  $3y^2$  units

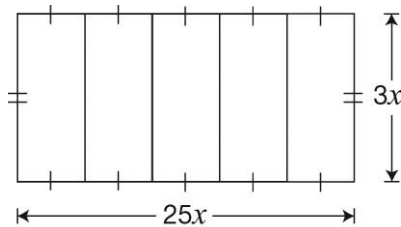
The mould shown below is used to make a candle in the shape of a square-based pyramid.



What is the volume of the mould?

- a  $1500 \text{ cm}^3$
- b  $500 \text{ cm}^3$
- c  $400 \text{ cm}^3$
- d  $35 \text{ cm}^3$

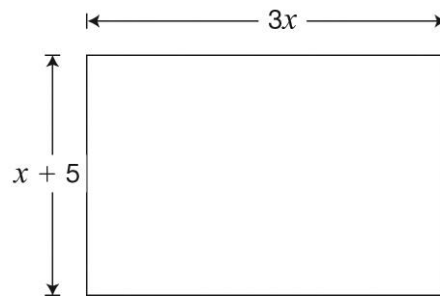
A rectangle is divided into 5 equal sections as pictured below.



Which of the following represents the area of **one** section?

- a  $8x$
- b  $8x^2$
- c  $15x$
- d  $15x^2$

A rectangle is shown below with algebraic expressions for its length and width in centimeters.



Which expression represents the area of the rectangle in  $\text{cm}^2$ ?

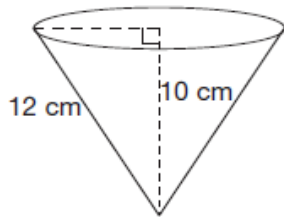
- a  $4x + 5$
- b  $8x + 10$
- c  $3x^2 + 5$
- d  $3x^2 + 15x$

Multiple Choice Answers - Please Use Capital Letters

1.	2.	3.	4.
----	----	----	----

**Cone Zone** (4 marks)

Zach measures the slant height of a cone-shaped cup and finds that it is 12 cm. The height is 10 cm.

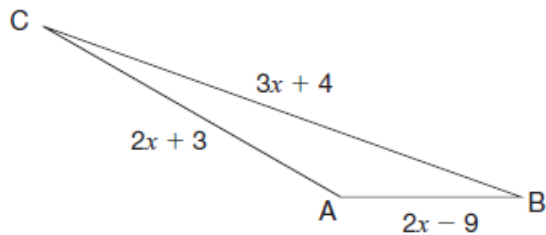


Determine the volume of water in the cup if Zach fills it to the top.

Show your work.

**What Side?** (6 marks)

The perimeter of the triangle below is 152m



Determine the measure of each side of the triangle.

Show your work.