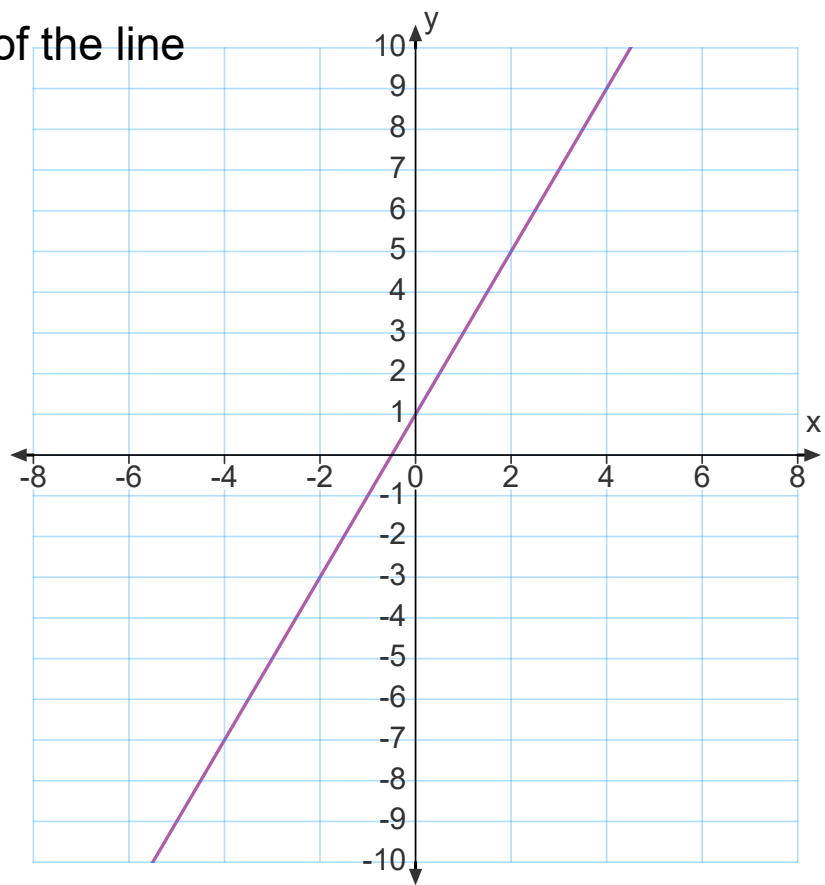


Course Review #3

Please try all questions, before watching the video solutions. The questions are available in pdf format on my website.

Stop and pause the video as required, these are solutions, not lessons, so I will be going a little faster than normal.

Find the equation of the line



Course Review #3

For $3x - 2y + 8 = 0$, state the slope of (i) a line that is parallel,
(ii) a line that is perpendicular.

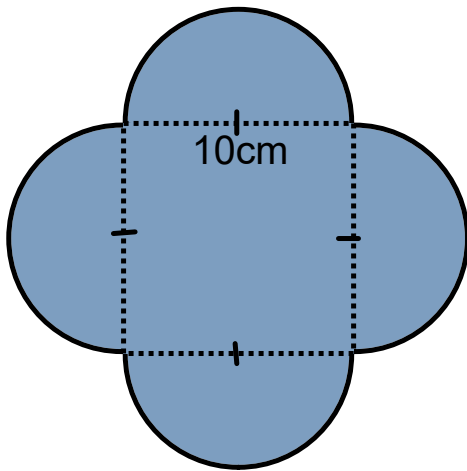
Sierra earned a mark of 56 out of 74 on her math test. What is her mark as a percent?

Mr. Childs made a mistake and the test was actually out of 70. How much did her mark change due to the mistake?

James went to buy a t-shirt that was on sale. It was 30% off the regular price of \$22.00. What was the final price James had to pay if he was shopping in Ontario?

A math class had a ratio of 14 boys to 12 girls. What percent of the class was girls? What percent of the class was boys?

Find the area of the following shape.

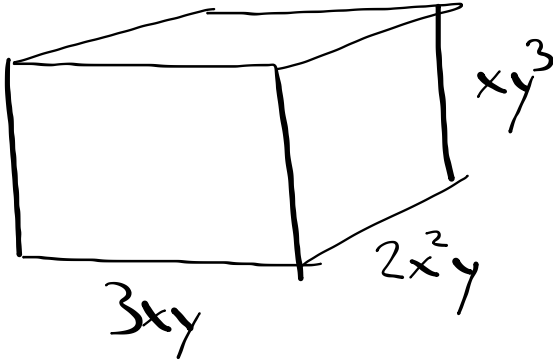


Solve the following:

$$6n = -36$$

$$7x - 12 = 9$$

Find the Volume expression



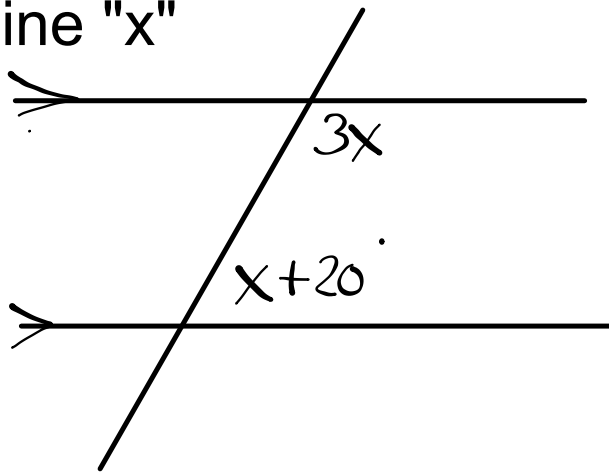
Bob made \$500 in 8hrs of work on a computer service call.
Bob made \$350 in 5hrs of work on a different computer call.

Does Bob earn a flat fee?

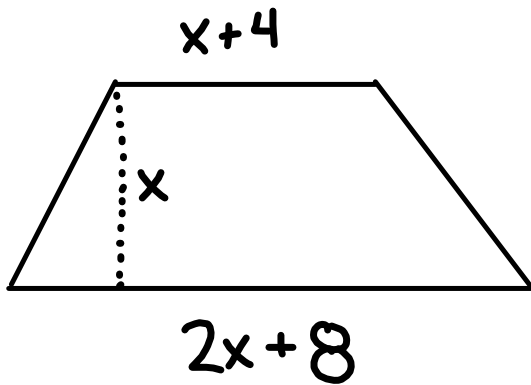
What is Bob's hourly wage?

What is the equation that models Bob's wage?

determine "x"



Find an area expression



Solve

$$2(x+3) - 6(x-2) = 24$$